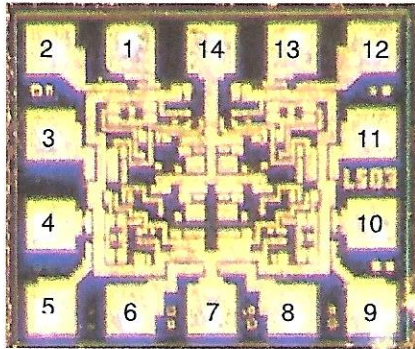




Sierra Components, Inc.

2222 Park Place, 3-E • Minden, Nevada 89423

Phone: 775.783.4940 Fax: 775.783.4947



PAD	FUNCTION
1	A1
2	B1
3	Y1
4	A2
5	B2
6	Y2
7	GND
8	Y3
9	A3
10	B3
11	Y4
12	A4
13	B4
14	V _{CC}

NOTE:

- This data is supplied for general information only and is believed to be correct at the time of publication.
- For critical applications, the customer is advised to verify device revision and pad coordinates, prior to processing
- Changes can be made without notification from the manufacturer.

DEVICE	54LS03	DIE SIZE (MILS)	37 X 30
MANUFACTURER	MOTOROLA	BOND PADS (MILS)	3.3 X 3.3
APPROVED BY	GEW	TOP METAL	Al
DATE	13/09/18	BACK METAL	Au
SERIAL NUMBER	0492	BACK POTENTIAL	GND

APPROVED BY: MG

DIE SIZE: 37 x 30 Mils

DATE: 9/13/18

MFG: Motorola

P/N: 54LS03